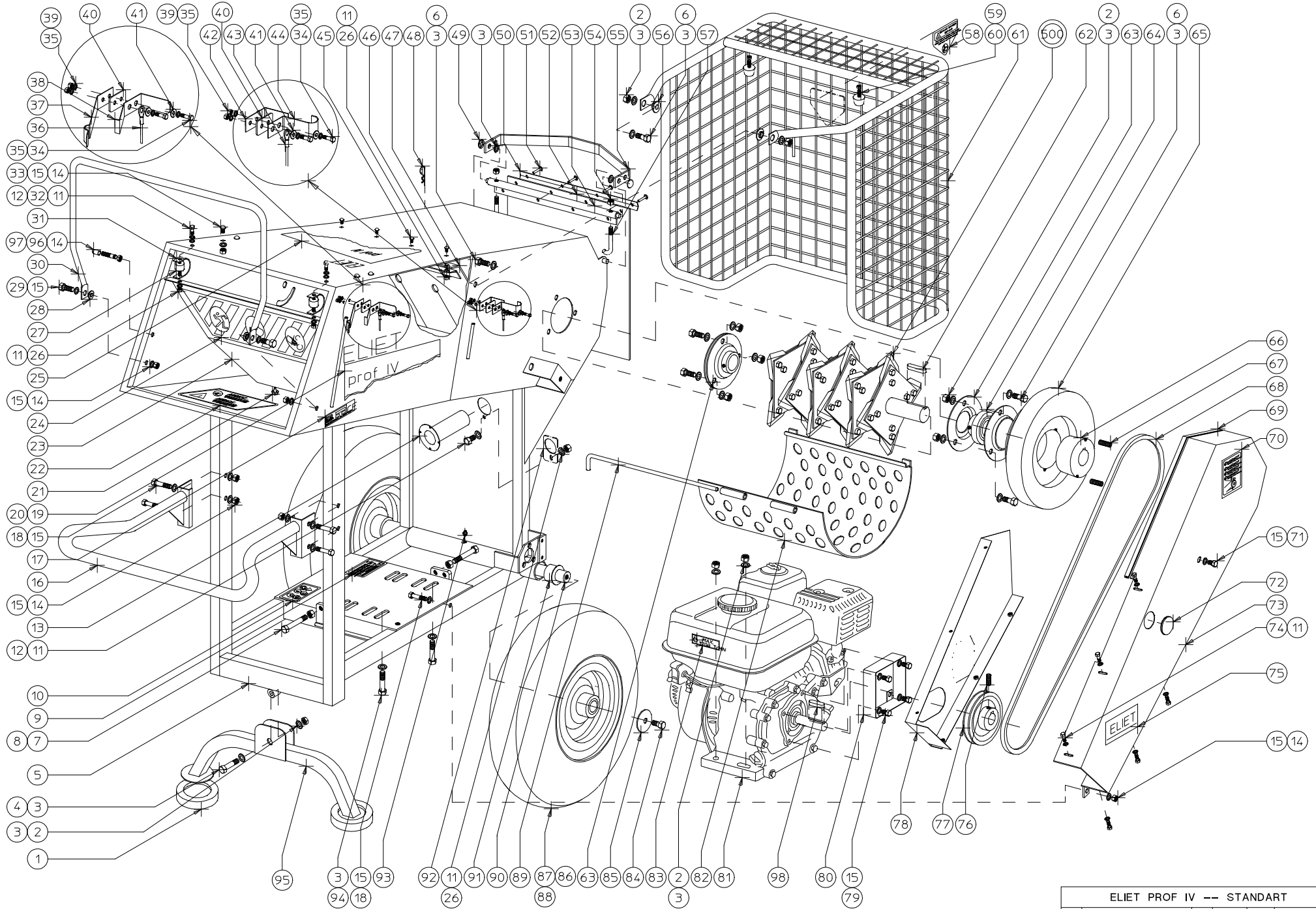


ELIET PROF IV -- GENERAL						
NO	MMA 01 050 100	REV	1	DATE	2009/11/27	

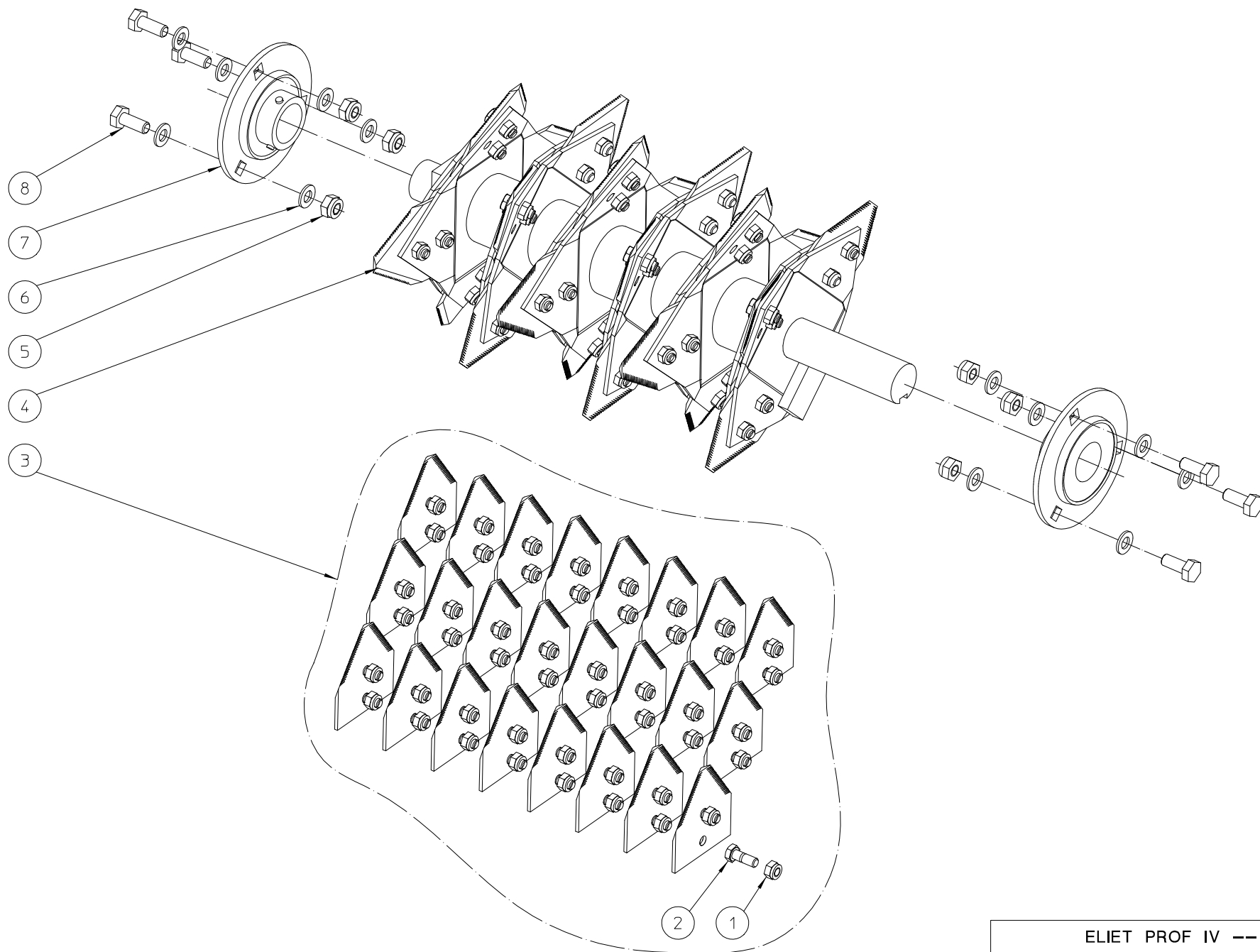
#	Order nr	article description	quantity
110	MMA 01 050 110	general assembly machine	1
140	MMA 01 050 140	rotor	1
150	MMA 01 050 150	accessories	1



ELIET PROF IV -- STANDART					
NO	MMA 01 050 110	REV	1	DATE	2009/11/26

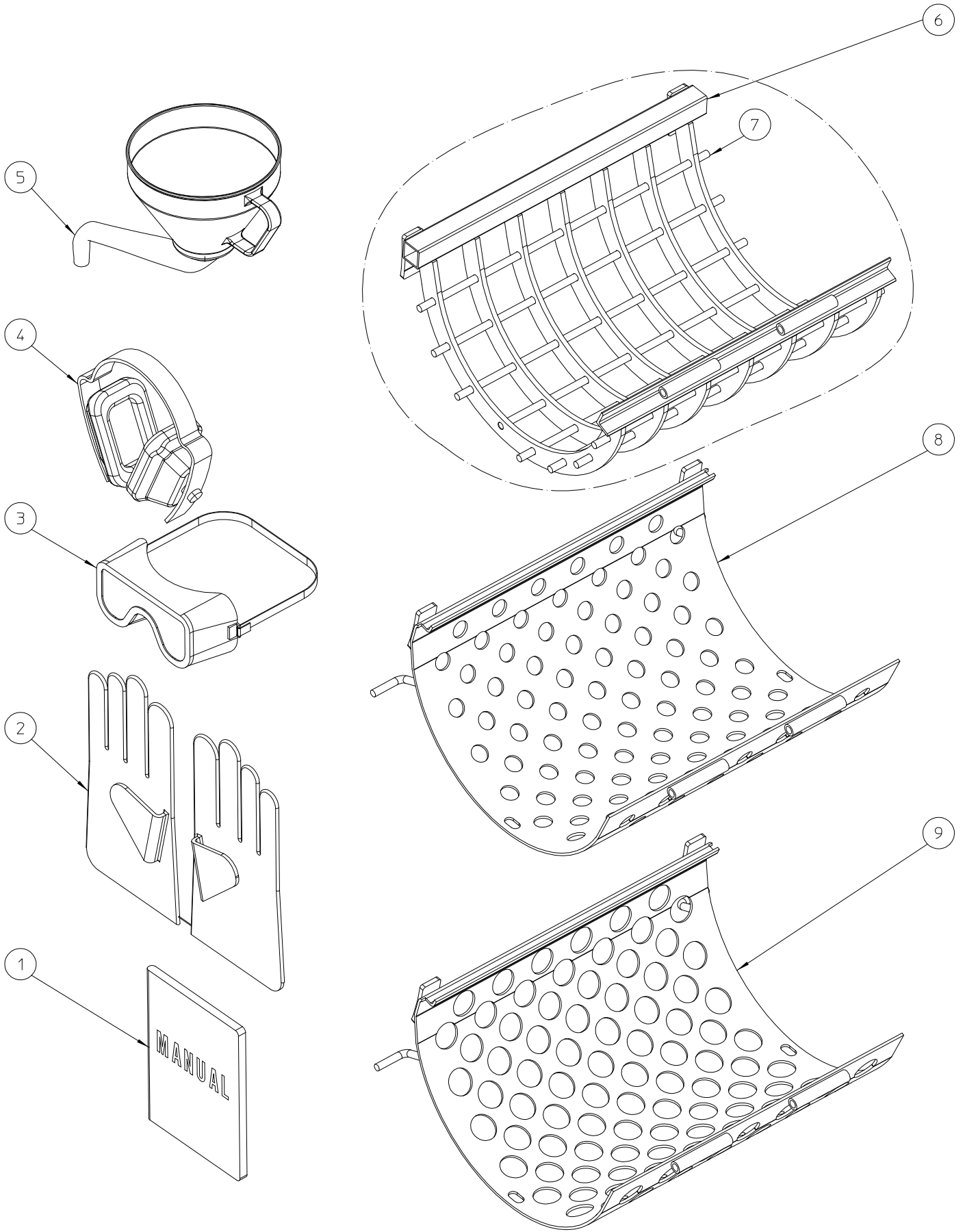
#	Order nr	article description	quantity
1	BR 900 000 110	rubber socks dia 90x18mm	2
2	BS 502 001 000	self locking nut m10 din 985	13
3	BS 531 001 000	washer m10 din 125	26
4	BS 511 001 043	bolt m10x55 din931	1
5	MPA 01 050 010	chassis	1
6	BS 512 001 025	bolt m10x25 din 933	8
7	BS 501 001 000	nut m10 din 934	2
8	BS 512 001 048	bolt m10x80 din 933	2
9	BQ 505 010 040	safety sticker 60x100 (spark plug)	1
10	BQ 505 010 050	safety sticker 60x100 (pictogram)	1
11	BS 531 000 600	washer m6 din 125	16
12	BS 512 000 616	bolt m6x16 din 933	3
13	MPA 01 050 180	muffler pipe	1
14	BS 502 000 800	self locking nut m8 din 985	11
15	BS 531 000 800	washer m8 din 125	23
16	MPA 01 050 060	handlebars	1
17	BQ 505 010 010	identity sticker ce 120x30	0
18	BS 511 000 842	bolt m8x50 din 931	5
19	BQ 501 050 020	sticker eliet prof iv (r)	1
20	BQ 501 050 010	sticker eliet prof iv (l)	1
21	BR 602 006 151	rubber bumper	2
22	BQ 505 010 110	safety sticker 190x125 (in feed)	1
23	MPA 01 050 090	anti projection shield	1
24	BQ 505 010 100	safety sticker 465x200 (shield)	1
25	BQ 501 050 050	sticker eliet prof iv (u)	1
26	BS 502 000 600	self locking nut m6 din 985	7
27	BR 600 220 150	antivibration blocks 20x15b m6x15	2
28	BR 112 080 300	nylon bushing with collar (8.2/10.9/18x3.5/1.5)	2
29	BS 512 000 820	bolt m8x20 din 933	2
30	MPA 01 050 070	safety handle	1
31	BR 910 000 020	retainer ertalon 80x20x2	2
32	BS 534 000 600	lock washer m6 din 6798a	2
33	BS 554 100 816	bolt m8x16 din 603	4
34	BS 512 000 416	bolt m4x16 din 933	4
35	BS 531 000 400	washer m4 din 125	8
36	BE 090 230 701	red wire 1.5 ce 70	1
37	BV 901 000 030	front safety switch (handle) part 2	1
38	BV 901 000 020	front safety switch (handle) part 1	1
39	BS 502 000 400	self locking nut m4 din 985	4
40	BR 737 010 010	isolating plate pvc 36x23x2	2
41	BR 112 060 300	nylon bushing with collar (4.2/5.9/10x3/1.3)	4
42	BV 901 000 050	rear safety switch (earth) part 2	1
43	BE 090 232 101	red wire 1.5 ce 210	1
44	BV 901 000 040	rear safety switch (earth) part 1	1
45	BS 554 100 616	bolt m6x16 din 603	4
46	MPA 01 050 100	retainer for rubber flap (inside)	1
47	BR 900 001 230	rubber anti projection flap (inside)	1
48	BB 040 102 040	hairpin cotter 2mm din 11024	1
49	BB 011 000 090	starlock 9mm	2
50	MPA 01 050 110	retainer for rubber flap (rear)	1
51	BB 221 105 160	pop plug alu 4.8x16 din 7337 a	4
52	BR 900 001 040	rubber anti projection flap	1

53	MPA 01 050 120	rapid fastener for grating	1
54	BS 501 000 800	nut m8 din 934	2
55	MPA 01 050 130	electromotor	1
56	BR 112 100 600	nylon bushing with collar (10/13.5/25x6/2.5)	2
57	MPA 01 070 400	hook for rapid fastener	2
58	BQ 505 010 070	safety sticker 100x80 (hand cuts)	1
59	BS 501 000 600	nut m6 din 934	2
60	BR 600 425 170	antivibration blocks 25x17b m6x18	2
61	MPA 01 050 050	safety guard	1
62	BB 341 100 850	key 10x8x50 din 6880	1
63	BL 711 503 501	flange for bearing	2
64	BL 513 507 203	bearing as 207	2
65	BA 565 717 001	pulley with flywheel spa 170 tl 2517	1
66	BB 501 163 500	taper lock tl 2517-35	1
67	BB 501 313 250	set screw 1/2"x1"	2
68	BA 521 218 000	belt xpa 1800	1
69	BR 000 911 000	rubber u-moulding 1000mm	1
70	BQ 505 010 130	safety sticker 100x80 (belt transmission)	1
71	BS 512 000 816	bolt m8x16 din 933	1
72	BR 500 103 800	rubber plug 42x38x1.6	1
73	MPA 01 050 030	transmission guard (outside)	1
74	BS 512 000 612	bolt m6x12 din 933	6
75	BQ 501 010 020	sticker eliet 130x60	1
76	BS 023 000 810	set screw m8x10 din 916	2
77	BA 565 711 201	pulley spa 112 (engine)	1
78	MPA 01 050 040	transmission guard (inside)	1
79	BS 511 041 019	bolt unf 3/8"x3/4"	4
80	MPA 01 050 140	protection guard crankshaft	1
81	BM 202 113 000	honda gx 390	1
82	MPA 01 050 020	standard grating 25mm	1
83	BQ 505 010 030	sticker max 3200 rpm 90x25	1
84	BS 512 001 016	bolt m10x16 din 933	2
85	BS 532 010 406	washer m10x40x3	2
86	BW 914 500 020	tire 5.00-8	2
87	BW 914 500 030	tube 5.00-8	2
88	BW 708 025 050	rim 3.00x8	2
89	MPA 01 050 150	locking rod for grating	1
90	MPA 01 050 160	wheel shaft	1
91	BR 112 263 000	nylon bushing with collar (26/42/48x30/2)	2
92	MPA 01 050 170	bracket for muffler extension pipe	1
93	BY 100 106 100	grease fitting m6 din 71412	1
94	BS 511 001 041	bolt m10x45 din 931	4
95	MPA 01 050 080	foot	1
96	BS 581 000 805	stud m8x50 din 975	1
97	BR 020 608 150	plastic cap 8x15	1
98	BB 342 060 635	key 6.35x6.35x35 din 6880	1



ELIET PROF IV -- ROTOR					
NO	MMA 01 050 140	REV	1	DATE	2010/10/06

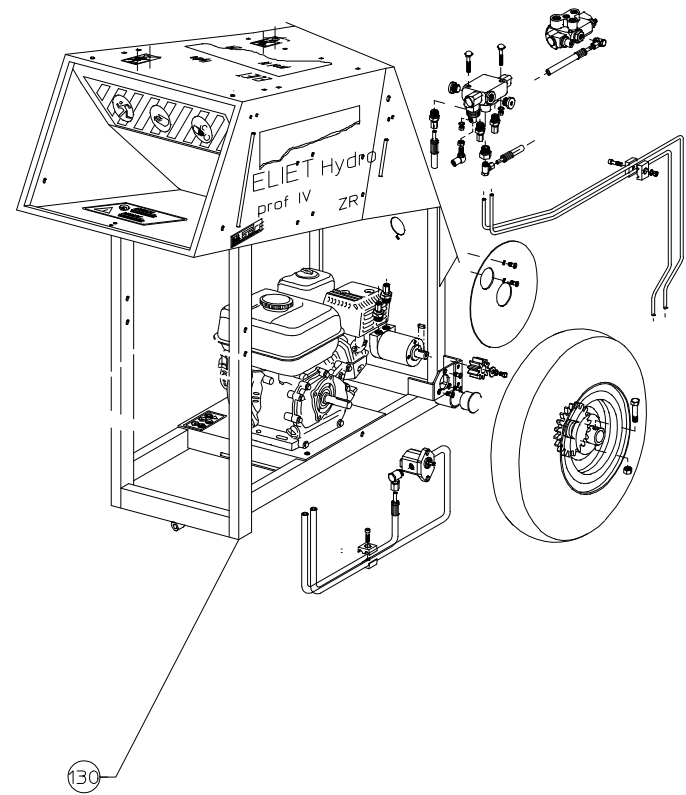
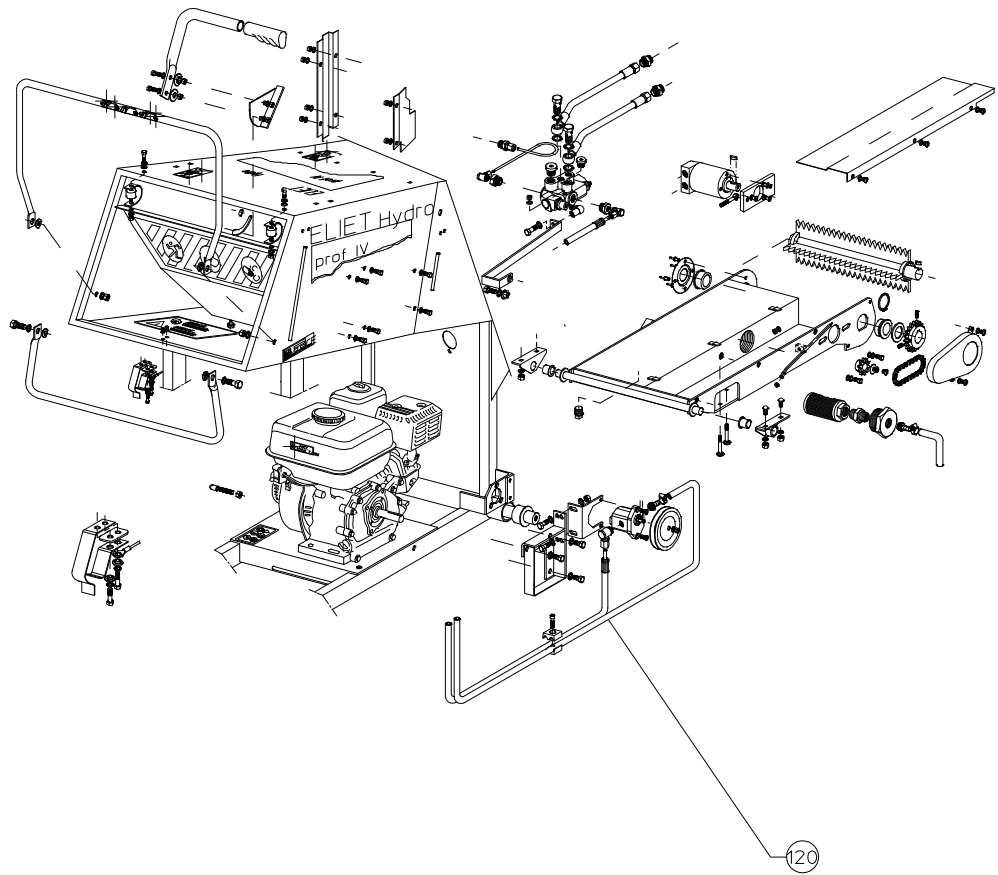
#	Order nr	article description	quantity
1	BS 502 000 800	self locking nut m8 din 985	0
2	BS 011 000 822	bolt m8x22 din 931	0
3	BU 401 200 303	set of knives (24)	1
4	MPA 01 050 500	rotor	1



ELIET PROF IV -- ACCESSOIRES ET OPTIONS

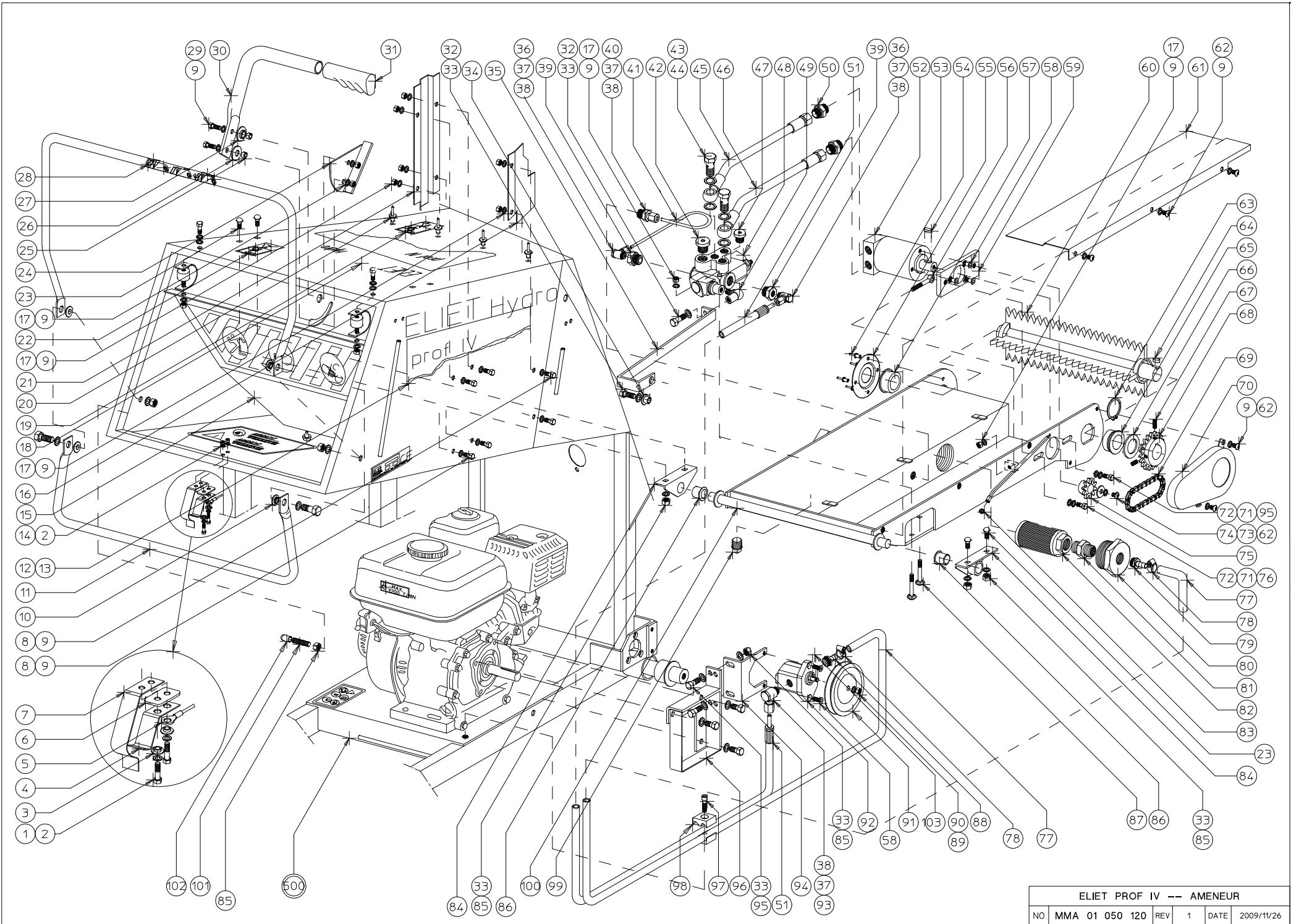
NO	MMA 01 050 150	REV	1	DATE	2010/08/19
----	----------------	-----	---	------	------------

#	Order nr	article description	quantity
1	BZ 201 050 010	manual prof iv	1
2	BQ 710 050 000	gloves	1
3	BQ 720 050 000	goggles	1
4	BQ 700 050 000	hearing protectors	1
5	BG 900 010 502	funnel	1
6	MA 004 001 001	grating for leaves	1
7	MPA 01 050 560	rod for grating for leaves	0
8	MA 004 001 002	grating Ø20mm	1
9	MA 004 001 003	grating Ø30mm	1



ELIET PROF IV -- GENERAL					
NO	MMA 01 050 100	REV	1	DATE	2009/11/27

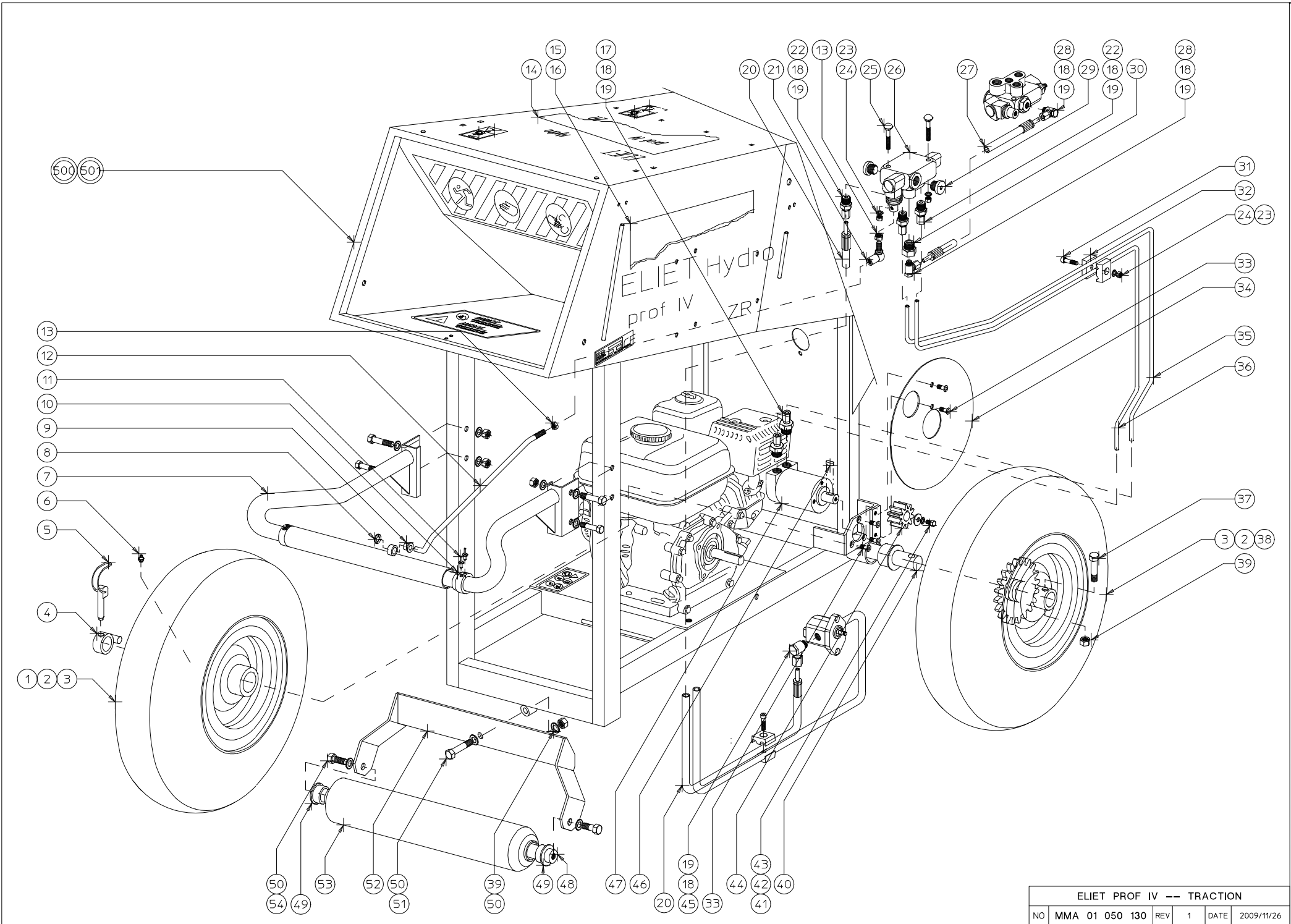
#	Order nr	article description	quantity
120	MMA 01 050 120	hydro kit infeedroller	1
130	MMA 01 050 130	wheeltransmission	1



ELIET PROF IV -- AMENEUR						
NO	MMA 01 050 120	REV	1	DATE	2009/11/26	

#	Order nr	article description	quantity
1	BS 512 000 416	bolt m4x16 din 933	2
2	BS 531 000 400	washer m4 din 125	4
3	BR 112 060 300	nylon bushing with collar (4.2/5.9/10x3/1.3)	2
4	BV 901 000 020	front safety switch (handle) part 1	1
5	BE 090 230 701	red wire 1.5 ce 70	1
6	BR 737 010 010	isolating plate pvc 36x23x2	1
7	BV 901 000 060	safety switch (earth)	1
8	BS 512 000 616	bolt m6x16 din 933	6
9	BS 531 000 600	washer m6 din 125	23
10	BR 112 080 300	nylon bushing with collar (8.2/10.9/18x3.5/1.5)	2
11	MPA 01 050 350	safety handle	1
12	BQ 501 050 040	sticker eliet pro iv hydro (r)	1
13	BQ 501 050 030	sticker eliet pro iv hydro (l)	1
14	BS 502 000 400	self locking nut m4 din 985	2
15	MPA 01 050 340	anti projection shield	1
16	MPA 01 050 330	cover in feed roller	1
17	BS 502 000 600	self locking nut m6 din 985	8
18	BQ 501 050 060	sticker eliet prof iv hydro (u)	1
19	BQ 501 050 070	sticker lift handle down	1
20	BB 221 106 160	pop plug alu 6x16 din 7337 a	4
21	MPA 01 050 320	cover hydraulic piping	1
22	BQ 501 050 080	sticker lift handle up	1
23	BS 554 100 816	bolt m8x16 din 603	4
24	MPA 01 050 300	hinge for lift handle	1
25	MPA 01 050 310	bushing	2
26	BR 111 100 200	nylon bushing (10.5/21x2.5)	1
27	BR 112 100 600	nylon bushing with collar (10/13.5/25x6/2.5)	1
28	BQ 501 060 070	sticker in feed roller control	1
29	BS 512 000 620	bolt m6x20 din 933	2
30	MPA 01 050 290	lift handle in feed roller	1
31	BN 230 100 400	rubber grip	1
32	BS 512 000 820	bolt m8x20 din 933	2
33	BS 531 000 800	washer m8 din 125	10
34	BR 112 081 300	nylon bushing with collar (8/11/16x13/2)	1
35	MPA 01 050 280	rod for switch valve control	1
36	BH 513 110 602	banjo 6lx1/8"	2
39	BH 514 100 602	reduction stud (m-f) 3/8"-1/8"	2
40	BH 509 210 604	male stud coupling 6lx1/4"	1
41	MPA 01 050 250	hydraulic pipe	1
42	BH 518 500 600	blanking plug 3/8"	1
43	BH 542 200 400	banjo bolt bb 1/4"	2
44	BH 809 004 200	seal 1/4"bsp	4
45	BH 551 040 390	flexible hydraulic hose 1/4"x400 proviv	1
46	BH 551 040 350	flexible hydraulic hose 1/4"x360 proviv	1
47	BH 518 500 400	blanking plug 1/4"	1
48	BH 400 003 000	hydraulic switch valve bm 20/1 1/4"--rb gu a8--	1
49	BA 230 010 800	ball joint m8	2
50	BH 509 251 006	male stud coupling 10lx3/8" bo	2
51	BH 551 031 670	flexible hydraulic hose 3/16"x1730	1
52	BH 331 203 210	hydraulic engine epmm 32cc	1
53	BB 221 105 100	pop plug alu 4.8x10 din 7337 a	4
54	BB 341 050 516	key 5x5x16 din 6880	1

55	MPA 01 050 240	protection plate for nylon bearing	1
56	BS 551 100 646	eye bolt m6x70 din 444	1
57	BR 112 262 111	nylon bushing with collar (26/35.5/40x21/2)	1
58	BS 522 100 616	screw m6x16 din 7991	5
59	MPA 01 050 210	bracket for hydraulic engine	1
60	MPA 01 050 200	in feed roller	1
61	MPA 01 050 260	cover for hydraulic tank	1
62	BS 522 500 610	screw m6x10 iso 7380	6
63	BB 001 000 320	retaining ring 32 din 471	1
64	BB 341 080 715	key 8x7x15 din 6880	1
65	BR 112 262 112	nylon bushing with collar (26/35.5/40x21/2)	1
66	MPA 01 050 220	spacer ring	1
67	BS 023 000 810	set screw m8x10 din 916	2
68	BA 161 021 251	sprocket simplex 3/8"x7/32" 21t	1
69	BA 101 040 010	chain simplex 3/8"x7/32" 40l	1
70	MPA 01 050 230	chain protection	1
71	BS 534 000 800	lock washer m8 din 6798a	2
72	BS 532 008 254	washer m8x25x2	2
73	BS 534 000 600	lock washer m6 din 6798a	1
74	BS 531 200 600	washer m6 din 7349	1
75	BA 161 011 162	sprocket simplex 3/8"x7/32" 11t	1
76	BS 512 000 830	bolt m8x30 din 933	1
77	BR 200 207 250	hydraulic pipe 8x14x2500mm	1
78	BT 670 110 180	hose clamp 10x18mm	2
79	BT 136 260 609	hose insert 3/8"x9mm	1
80	BT 174 282 408	blanking plug with reduction 6/4"x1/2" (m-v)	1
81	BT 174 260 808	adaptor (m-m) 1/2" inw 3/8"	1
82	BH 280 108 000	hydraulic filter 1/2"	1
83	BY 100 106 100	grease fitting m6 din 71412	1
84	MPA 01 050 270	hinge hydraulic kit	2
85	BS 502 000 800	self locking nut m8 din 985	6
86	BR 112 152 100	nylon bushing with collar (15.4/18/23x21/1)	2
87	BS 554 100 641	bolt m6x45 din 603	2
88	BT 136 260 409	hose insert 1/4"x9mm	1
89	BS 501 000 600	nut m6 din 934	1
90	BS 533 000 600	lock washer m6 din 127b	1
91	BA 565 608 001	pulley spa 80 alu	1
92	BH 210 400 700	hydraulic pump tfp 50/0.72 sco01	1
93	BH 513 130 604	banjo 6sx1/4"	1
94	MPA 01 050 360	bracket for hydraulic pump	1
95	BS 512 000 825	bolt m8x25 din 933	3
96	MPA 01 050 370	support frame for hydraulic pump	1
97	BS 521 100 625	screw m6x25 din 912	1
98	BH 711 420 010	pipe clamp b-14mm ass.	1
99	BT 174 300 600	blanking plug for hydraulic tank 3/8"	1
100	MPA 01 050 190	oil tank	1
101	BS 581 000 805	stud m8x50 din 975	1
102	BR 020 608 150	plastic cap 8x15	1
103	BB 321 020 206	key 2x2.6x6.76 din 6888	0



ELIET PROF IV -- TRACTION						
NO	MMA 01 050 130	REV	1	DATE	2009/11/26	

#	Order nr	article description	quantity
1	BW 708 025 030	rim 3.00x8 + cam	2
2	BW 914 500 020	tire 5.00-8	2
3	BW 914 500 030	tube 5.00-8	2
4	MPA 01 050 470	cam for wheel traction	1
5	BB 040 410 050	locking pin 10x50	1
6	BY 100 106 100	grease fitting m6 din 71412	1
7	MPA 01 050 380	steering bracket	1
8	BB 011 000 080	starlock 8mm	1
9	BR 112 081 300	nylon bushing with collar (8/11/16x13/2)	1
10	BR 910 000 010	nylon bushing with collar (25/30/34x30/15)	2
11	BB 221 104 100	pop plug alu 3.9x10 din 7337 a	4
12	MPA 01 050 390	rod for hydraulic valve	1
13	BS 501 000 800	nut m8 din 934	2
14	BQ 501 050 090	sticker zr	3
15	BQ 501 050 040	sticker eliet pro iv hydro (r)	1
16	BQ 501 050 030	sticker eliet pro iv hydro (l)	1
17	BH 509 210 606	male stud coupling 6lx3/8"	2
20	BH 551 031 080	flexible hydraulic hose 3/16"x1140	1
21	BA 230 010 800	ball joint m8	1
22	BH 509 210 604	male stud coupling 6lx1/4"	3
23	BS 502 000 600	self locking nut m6 din 985	3
24	BS 531 000 600	washer m6 din 125	3
25	BS 554 100 641	bolt m6x45 din 603	2
26	BH 400 004 000	hydraulic valve bm 20/1 1/4"--rb a1	1
27	BH 551 030 600	flexible hydraulic hose 3/16"x660	1
28	BH 513 110 602	banjo 6lx1/8"	2
29	BH 518 500 600	blanking plug 3/8"	2
30	BH 514 100 602	reduction stud (m-f) 3/8"-1/8"	1
31	BS 511 000 635	bolt m6x35 din 931	1
32	BH 710 620 010	pipe clamp b-6mm ass.	1
33	BS 522 100 616	screw m6x16 din 7991	5
34	MPA 01 050 450	guard for wheel transmission	1
35	MPA 01 050 430	hydraulic pipe hydro-engine (in)	1
36	MPA 01 050 440	hydraulic pipe hydro-engine (out)	1
37	BS 511 001 042	bolt m10x50 din 931	1
38	BW 708 025 040	rim 3.00x8 + sprocket	1
39	BS 502 001 000	self locking nut m10 din 985	2
40	MPA 01 050 460	wheel shaft zr	1
41	BS 512 000 616	bolt m6x16 din 933	1
42	BS 534 000 600	lock washer m6 din 6798a	1
43	BS 531 200 600	washer m6 din 7349	1
44	BA 603 001 201	gear m3 12t	1
45	BH 513 130 604	banjo 6sx1/4"	1
46	BB 341 050 516	key 5x5x16 din 6880	1
47	BH 331 203 210	hydraulic engine epmm 32cc	1
48	MPA 01 050 420	axle front roller	1
49	BR 112 201 910	nylon bushing with collar (20.5/30/35x19/2.5)	2
50	BS 531 001 000	washer m10 din 125	4
51	BS 511 001 043	bolt m10x55 din931	1
52	MPA 01 050 400	fork for roller	1
53	MPA 01 050 410	roller	1
54	BS 512 001 020	bolt m10x20 din 933	2